



SADLER

POWER TRAIN
TRUCK PARTS & SERVICE

STEMCO®
QWIKTIE®



HIGHLY ADAPTABLE FOR MAXIMUM EFFICIENCY

Designed to increase simplicity and safety. STEMCO® QWIKTIE® tie rod assembly offers a highly adaptable solution that can accommodate a wide range of straight tie rod lengths.

Advanced Technology

QWIKTIE's versatile range of adjustment makes it a flexible stock addition. QWIKTIE tie rod assemblies are highly adjustable to fit over 80% of the straight tie rod lengths and styles in the market. QWIKTIE features easy color attributes for identification and accurate installation. Patent Pending.

Increased Versatility

With a versatile tie rod solution, QWIKTIE tie rod assemblies reduce overhead for maximum efficiency. QWIKTIE fits from 57 ³/₈" to 73 ⁷/₈" total length from grease zerk to zerk.

Increased Strength

Increased strength and a more even clamping force holds the alignment longer, reducing stress on other suspension components providing increased fuel and tire mileage.

Greater Accuracy

Finer threads provide a more precise adjustment, reducing stress on other steering components. Threads are pre-lubricated for ease of installation and easy adjustment over time.

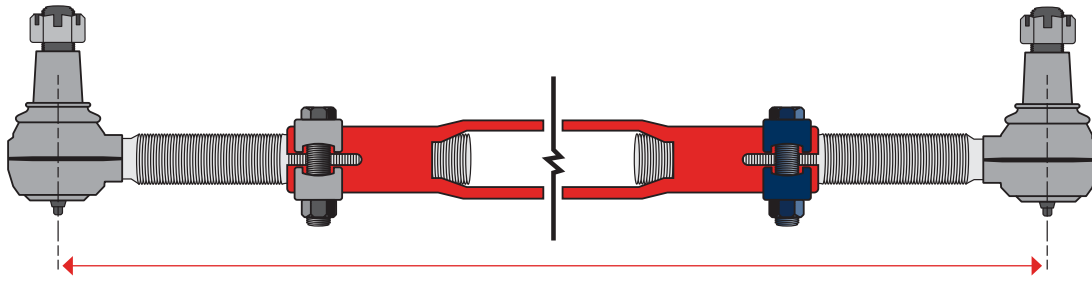
Safe and Secure

Alignment settings are easily adjusted in a timely manner to achieve a safe, secure connection between the tie rod and threaded tie rod end.

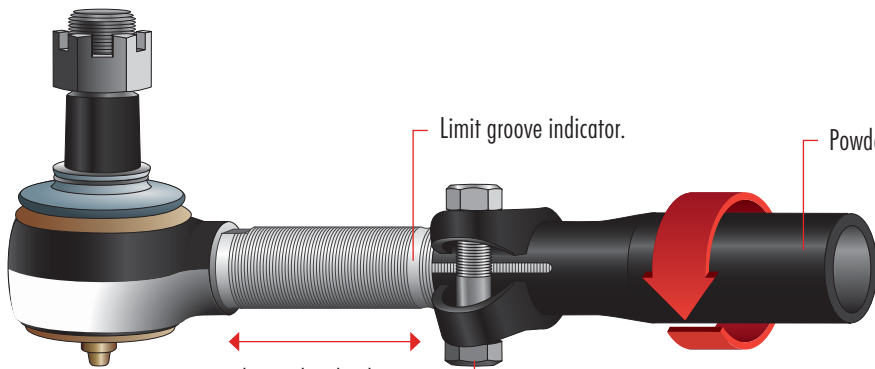


VERSATILE. EFFICIENT. SAFE.

The QWIKTIE tie rod assembly offers a highly adaptable solution that can accommodate a wide range of tie rod lengths. Increased clamping and tube strength allows it to hold alignment, reducing stress on other suspension components.

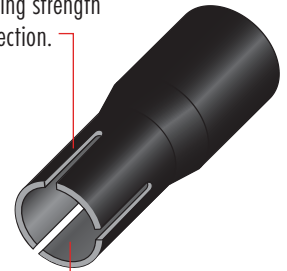


Increased range adjusts to fit over 80% of tie rod assembly lengths in the market (57 3/8" to 73 7/8").



Advanced technology in adjustment design allows greater flexibility to fit a wider selection of tie rod lengths.

Improved clamping system includes a third relief cut to provide tighter clamping strength for a safer and more secure connection.



Finer threads provide more precise adjustment capability.

QWIKTIE TIE ROD ASSEMBLY

Tie Rod End Industry Std. Reference Number	QWIKTIE Part Number	Axle Code	King Pin
ES3219L, ES3220R	QT967SS	FF-961, FF-966	K961L
ES423L, ES423R		FF-981, FF-986	K981R
ES9001L, ES9001R		02-ADD	K120I
ES431L, ES431R	QT108SB	FL-931, FL-941	KH931L
ES9328L, ES9329R		E1462I/W	K147E
ES431L, ES431R		EFA18F3, EFA20F4	K180E

This table captures example cross references to a QWIKTIE tie rod assembly. For any given axle or tie rod end, there can be many possible combinations of cross-tube lengths. For example, there could be as many as 40 different assemblies using the ES423L tie rod end.



Cedar Rapids
800-383-8238

Davenport
800-383-4213

Dubuque
800-747-0752

Waterloo
800-373-3035

"The Power of Service"

www.sadlerpowertrain.com

